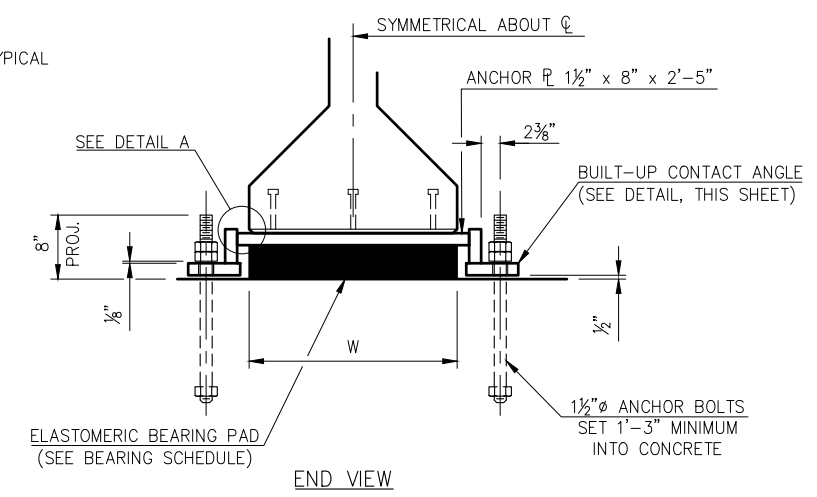
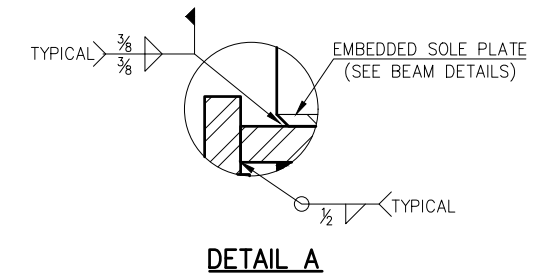
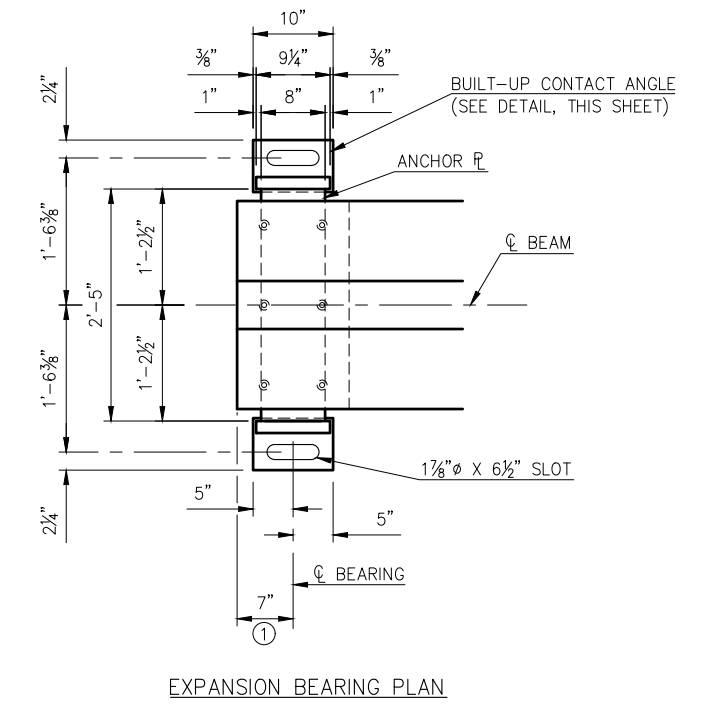
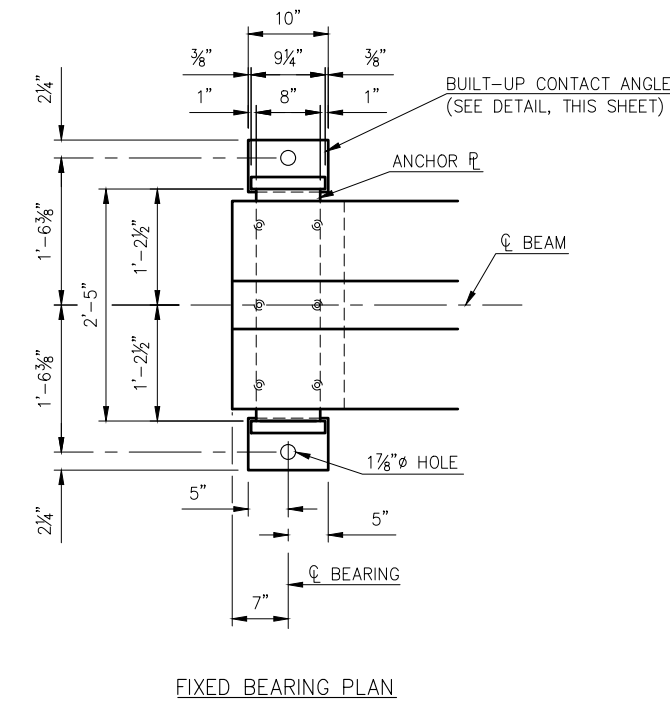
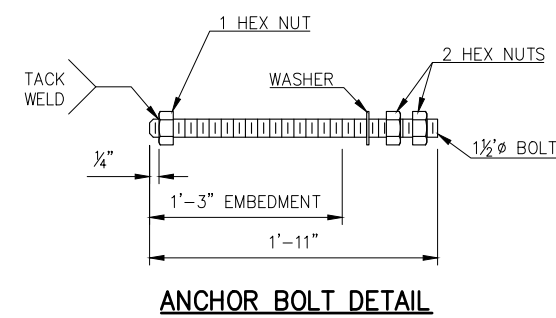
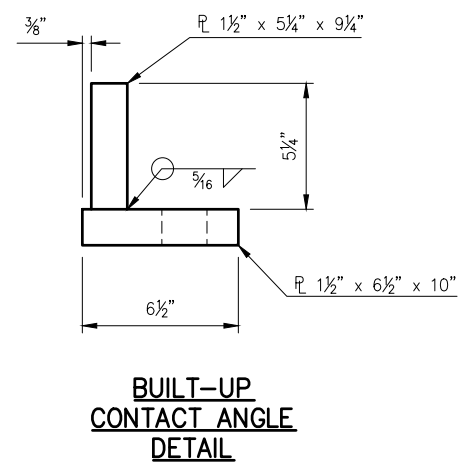


REVISIONS		
REV. NO.	DESCRIPTION	DATE



① CENTER ANCHOR BOLTS IN SLOTS DURING SETTING OF BEAMS. DIMENSION MAY VARY DEPENDING ON TEMPERATURE AT THE TIME OF BEAM SETTING.

BEARING ASSEMBLY NOTES:
 PROVIDE STRUCTURAL STEEL FOR ANCHOR PLATES AND BUILT-UP CONTACT ANGLES IN ACCORDANCE WITH ASTM A240 (AUSTENITIC STAINLESS STEEL, TYPE 316, CHАРY V-NOTCH TESTING NOT REQUIRED). FOR ANCHOR BOLTS, PROVIDE CONTINUOUSLY THREADED BARS IN ACCORDANCE WITH ASTM A320, CLASS 2, GRADE B8M (AUSTENITIC STAINLESS STEEL, TYPE 316, CHАРY V-NOTCH TESTING NOT REQUIRED). USE AUSTENITIC STAINLESS STEEL NUTS AND WASHERS CONFORMING TO ASTM A194, GRADE 8M AND ASTM A320, RESPECTIVELY. PERFORM ALL WELDING CONSISTENT WITH PROCEDURES FOR STAINLESS STEEL.

BEARING SCHEDULE				
SPAN	60 DUROMETER ELASTOMERIC BEARING PAD			
	SIZE (T x L x W)	COVER LAYER	INNER LAYER	LAMINATE PLATE
85' & 100'	5 1/8" x 7 1/2" x 2'-2"	2 - 1/4"	9 - 3/8"	10 - 1/8"

DESIGN	MBS	5/14	SH-28 OVER SALT CREEK BRIDGE "A"	NOWATA COUNTY
DETAIL	SLP	5/14		
CHECK	MBS	3/15		
GUY ENGINEERING SERVICES, INC.			STATE JOB PIECE NO. 28857(04)	SHEET NO. B028

DETAILS OF BEARING ASSEMBLIES

Monday, July 31, 2017 4:19:41 PM V:\112-716E SH-28 Salt Creek JP_28857\STRUCTURAL\DWG\Salt Creek - BEARINGS.dwg